

**M-600**  
*Ultra-Clean Water System*

## Typical Parts Needed for Rough-In

- A) Washing machine box with angle stops
- B) PEX pipe - 1/2" minimum
- C) Drain pipe per local code
- D) Mounting boards
  - 1) Two studs OR
  - 2) 2 x 6 blocking OR
  - 3) Two 1 x 6 mounting boards OR
  - 4) 3/4" plywood
- E) Dedicated faucets for each water location
- F) Electrical: 15 amp dedicated circuit with standard outlet

## Recommended Mounting Locations

The ideal locations for the M-600 are garages, basements and mechanical rooms.

**Ventilation** - The M-600 generates 1,100 watts of heat. The unit should only be mounted in areas with sufficient ventilation to dissipate the heat. This requirement is especially critical in small spaces.

**Sound** - The M-600 also generates sound from three sources: the cooling fan, the ceramic balls that are a part of the proprietary distillation system, and the water pump when it is dispensing water. It is best to mount the unit to a wall that is not shared with a living space. Contact Sylvan Source for more information about mounting on shared walls.

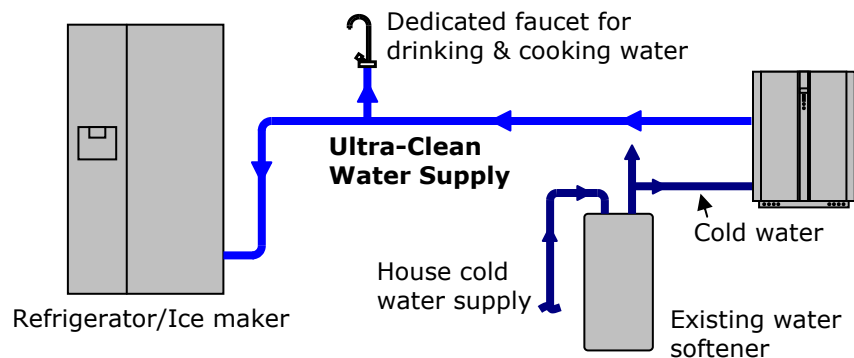
## MOUNTING LOCATIONS

**RECOMMENDED:** Garages, basements, mechanical rooms.

**AVOID:** Living spaces, enclosed pantries and closets with no air makeup and exhaust.

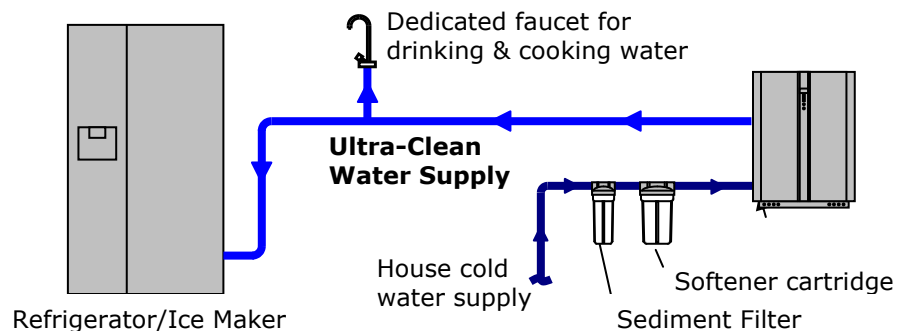
## Soft Water Requirement

Although the M-600 does an excellent job of removing hardness from water, it was not designed to be a water softener. To protect the M-600 from scale build-up, Sylvan Source requires that a water softener be used on the inlet water supply for all installations. A whole-house ion-exchange water softener is recommended.



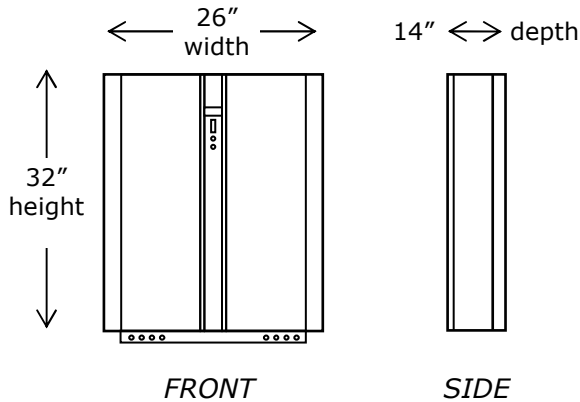
Note: Although a sediment filter is not required in this situation, it may be installed for extra protection in high sediment environments.

If a whole-house softener is not available, a dedicated pre-treatment system consisting of a sediment filter and a softener cartridge can be used. Such a system can be purchased through your Sylvan Source dealer, Sylvan Source PN SYS1003018.

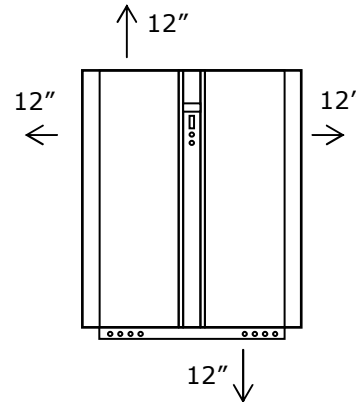


See the M-600 Quick-Start Guide at the Sylvan Source website, [www.sylvansource.com](http://www.sylvansource.com), for more details about the dedicated pre-treatment system.

## Approximate Dimensions

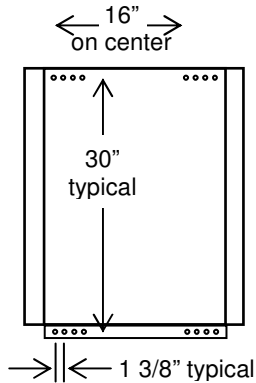


## Required Clearances:



Front: the cover for the M-600 is full depth. It is removed by pulling straight forward. A minimum of 14" clearance is, therefore, required when removing the cover.

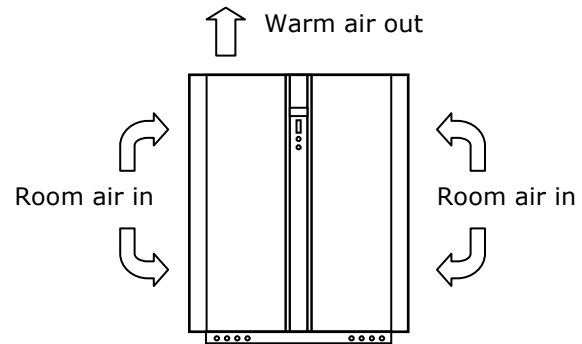
## Mounting Hole Locations



The M-600 is mounted to the wall using four 1/4" lag screws, two at the top and two at the bottom. Eight mounting holes are provided at the top and eight at the bottom to give some latitude for the lag screw placements.

The lag screws can be attached directly to wall studs, to 2 x 6 blocking or to 1x or 3/4 plywood boards.

## Ventilation



The M-600 takes in room air from vents that run the length of both sides of the unit. Warm air is exhausted out a vent at the top left side.

## Use of a Washing Machine Box

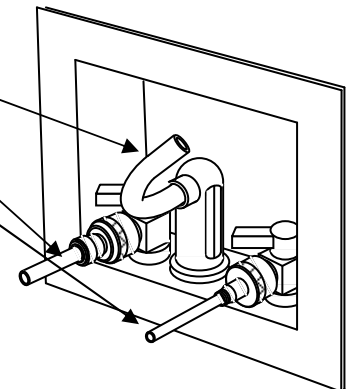
The M-600 has three connection points to house plumbing:

- Waste drain tube (5/8 OD), included with the M-600
- Outlet water line, 3/8 OD (polyethylene or PEX)
- Inlet water line, 1/4 OD (polyethylene, PEX or copper)

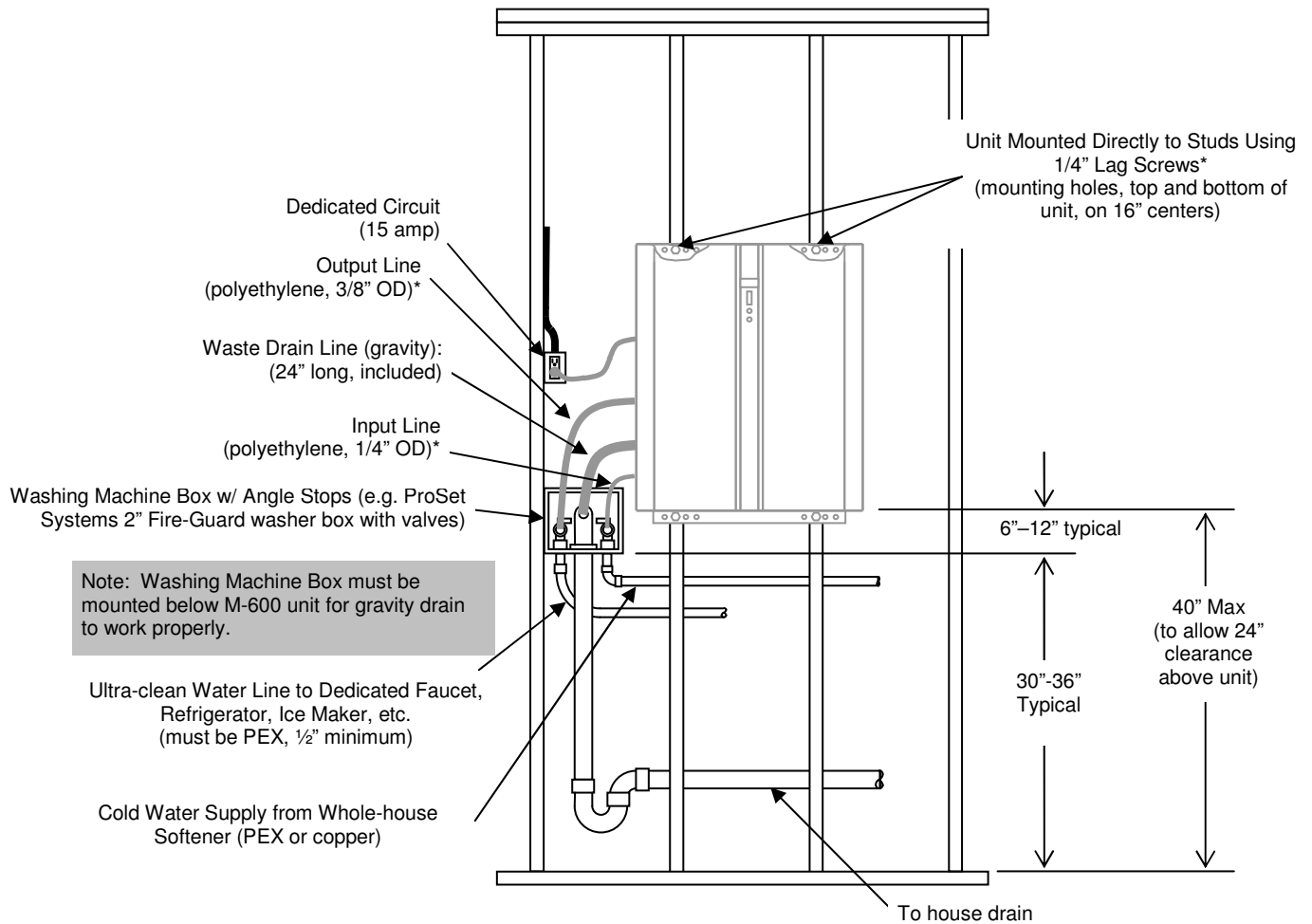
All of these can be roughed-in neatly using a standard washing machine box with angle stops and an air gap fitting (if required by local code).

All of the connections to the M-600 are on the left side of the unit. The washer box should be mounted at a location with enough room to its right to fit the M-600 in place with the required clearances between the unit and adjacent walls (see following page for typical installation layouts).

The 3/8" and 1/4" polyethylene tubing and two quick-connect adapters to connect the tubing to the hose bib threads on the angle stops are included in an installation kit, Sylvan Source PN1003010, available from your Sylvan Source Dealer.

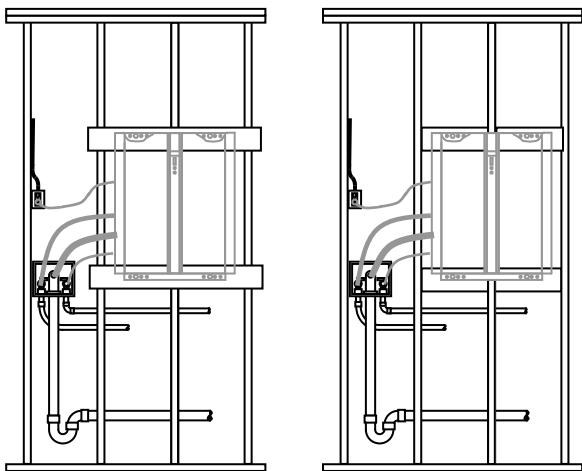


## Typical Installation



\* these components are available in Installation Kit PN1003010

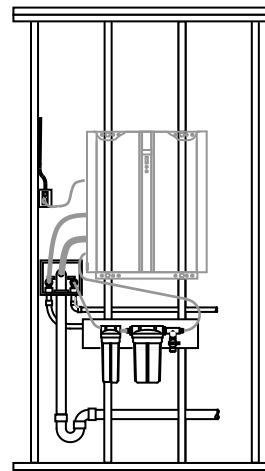
## Alternate Installations



Unit Mounted to External  
1x or 3/4 Plywood Boards

Unit Mounted to 2x6  
Blocking

## Pre-Treatment System Installation



If a whole-house softener is not available, a dedicated softening system can be used as shown at left. All the components are available in a single Pre-Treatment Kit available from your dealer (Sylvan Source PN SYS1003018)

This pre-treatment system needs a mounting space 20" high x 24" wide. A 1x6x24 board mounted to the wall is a sufficient mounting platform for the components. The components mount to the board using brackets and lag screws supplied in the Pre-Treatment Kit.

See Sylvan Source M-600 Quick-Start Guide @ [www.sylvansource.com](http://www.sylvansource.com) for more details.